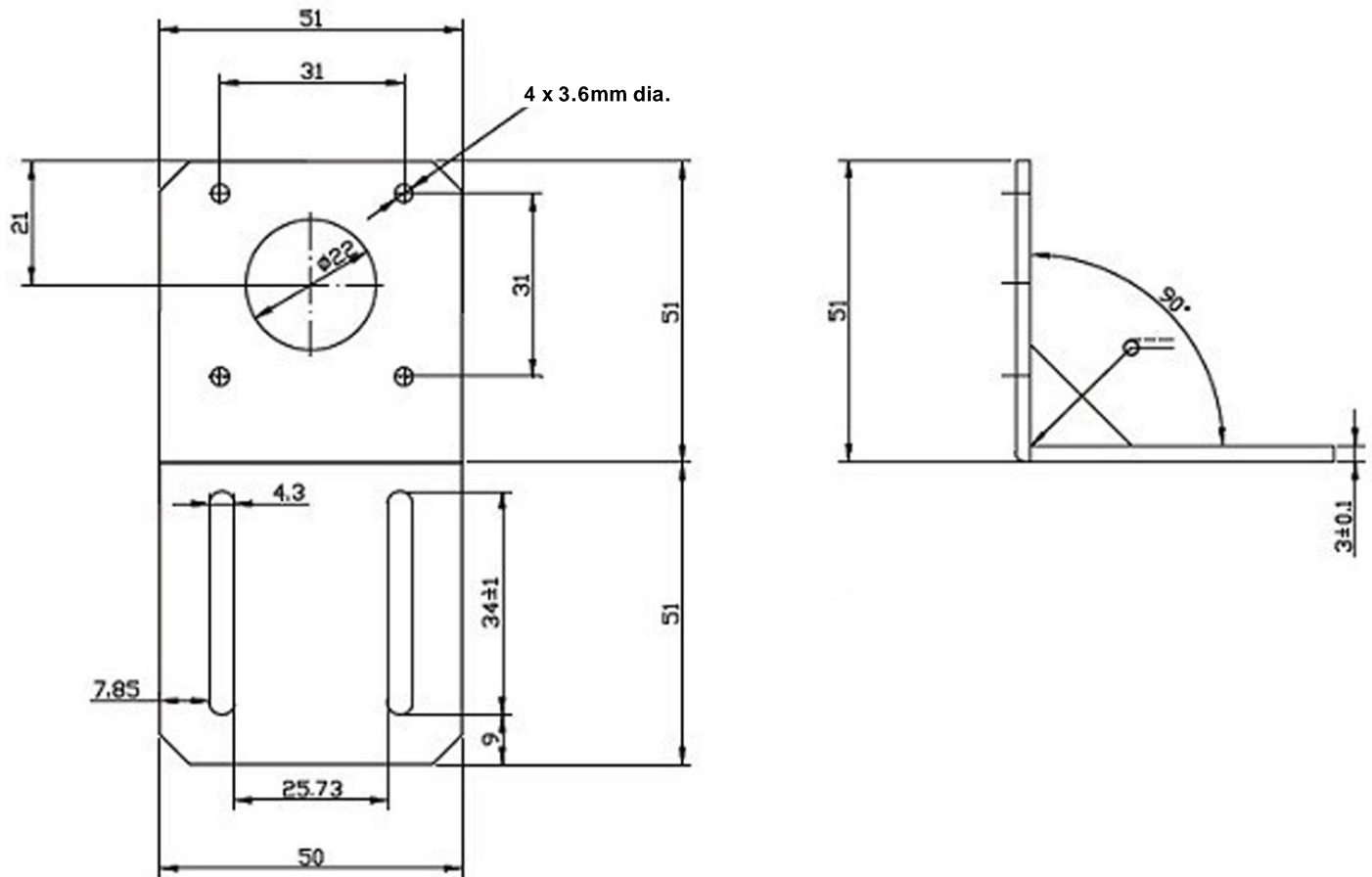


Nema 17 Mounting Bracket - 90 degree



Dimensions are all $\pm 0.5\text{mm}$



Prod Code	ptNema17br90
Units	mm



Bilby3D.com.au
+61 2 8197 3928
452 Wyndham Lane,
Kanoona, NSW, 2550
Australia

This datasheet prepared by
Bilby 3D Pty. Ltd. from
Manufacturer's Data.
16th January 2015